

# MS-2424 24" x 24" Composite Mop Service Sink

**Model number:**

**MOP SERVICE SINK**

**Dimensions:** 24" x 24" x 10" **Mount Type:** Wall Mount

**Material:** Swanstone



## Standard Features:

- Manufactured from Swan's compression molded stone composite.
- Includes a 3-inch IPS cast brass drain and a 3-inch drain seal gasket (MS-2411)
- Dome strainer and lint basket
- The most impact and stain-resistant mop sink available.

## Product characteristics:

- Swan Composite
- Modern Design
- Easy to Clean

## Warranty:

1 Year

## Standard colors:



Flock (033)

## Certifications

Swan products adhere to one or more of the following certifications:



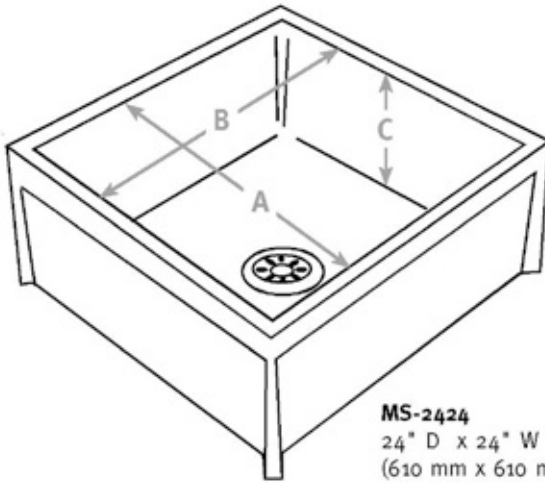
# MS-2424 24" x 24" Composite Mop Service Sink

**Model number:**

**MOP SERVICE SINK**

**Dimensions:** 24" x 24" x 10"    **Mount Type:** Wall Mount

**Material:** Swanstone



**MS-2424**  
24" D x 24" W  
(610 mm x 610 mm)  
A 21-15/16", B 21-15/16", C 9-1/8"

**Water capacity:**

gal.

**Type of bowl:**

Single

**Type of sink:**

Mop

**Number of bowls:**

One

Project:

Contractor:

Representative:

Date:

Tel:

Notes: